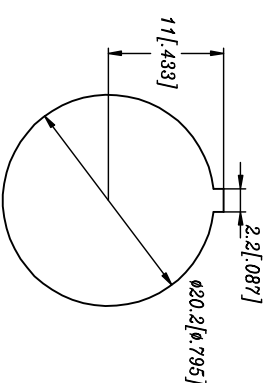
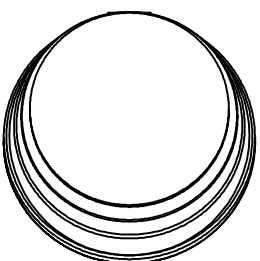
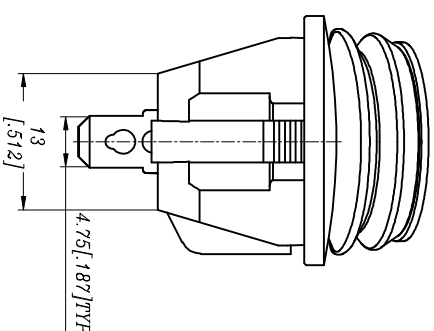
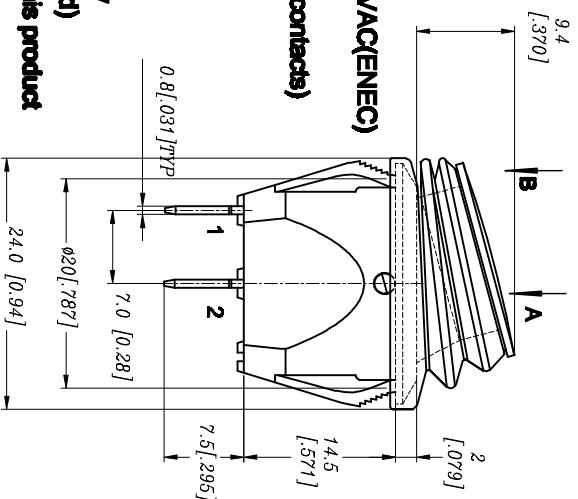


- All dimensions in mm [Inch]
- General tolerance : >10±0.4  
<10±0.25
- Electrical rating :10A 250V 15A 125VAC(U.L) 10(4)A 250VAC(ENEC)
- Contact resistance : <20mΩ(initial)
- Insulation resistance : >1000MΩ(500DC between open contacts)
- Dielectric strength : >1500V 1 minute
- Mechanical life : >30000 cycles
- Electrical life: >10000 cycles
- Temperature rise at the terminal : Max.30℃
- Solder ability of terminal : Max.350℃,3S(no pressure may be placed in the terminals when soldering by hand)
- Any Cd Pb Hg etc and it's compounds is not include in this product
- Ambient temperature: 10T105
- Ambient humidity: Max.85%
- Applicability for appliance of class: class II
- Proof tracking resistance index(PTI): 175
- Degree of pollution: normal



**CIRCUIT SPST**

POLE FUNCTION	OPTIONS OF FUNCTION		
	A	Center	B
SPST	1-2	None	OFF



Panel cut out(Thickness: 3mm Max)

Color	Housing	Actuator
K(Black)		
W(White)		
R(Red)		
G(Gray)		
O(Orange)		
B(Blue)		
Y(III. Yellow)		
M(III. Green)		
F(III. Blue)		
T(III. White)		
D(III. Red)		

A	B	C	D	E	F	G	H	I

Part No.	RC15 T00BH	 <b>LIGHT COUNTRY CO., LTD</b>			
Dwg. NO.	RC15-200525				
Series NO.	RC	Drawing	Jiangshengxian	Auditing	Luyanchao
Dwg Name	Specification	Scale	2:1	Date	05/25/20
					Page